



MAGICBOWL™ WATER EFFECT
WITH FIREFX™ LED LIGHT
FOR POOL AND SPA



INSTALLATION
AND
USER'S GUIDE

IMPORTANT SAFETY INSTRUCTIONS
READ AND FOLLOW ALL INSTRUCTIONS
SAVE THESE INSTRUCTIONS

Technical Support

Phone: (800) 831-7133 - Fax: (800) 284-4151

Web sites: www.pentairpool.com and www.staritepool.com:

Contents

IMPORTANT WARNING AND SAFETY INSTRUCTIONS.....	iii
Overview.....	1
Operating MagicBowl Water Effect Using a Wall Switch.....	1
Operating MagicBowl Water Effect Using Automation Control System.....	1
Using an External Transformer for Multiple MagicBowl Water Effects	2
Maximum wattage when using multiple FireFX LED Light and IntelliBrite Color LED lights (using a 300 Watt Transformer).....	2
Powering On the FireFX LED Light.....	2
Installing the MagicBowl Water Effect and Niche (new pool construction).....	3
Installing the MagicBowl Water Effect Niche (after electrical requirements are met).....	4
Important General Precautions.....	4
Installing the FireFX LED Light Assembly (After Niche Installation).....	6
Installing the MagicBowl Water Effect Assembly on the Niche.....	8
Replacing FireFX LED Light Assembly (in an existing installation).....	10
Replacing FireFX LED Light Assembly (after electrical requirements are met)....	11
Winterizing the MagicBowl Water Effect.....	12
Pressure Testing the MagicBowl Water Effect.....	12
Connecting MagicBowl Water Effect to the Automation Control System.....	13
Setting up MagicBowl Water Effect with the Automation Control System.....	15
Troubleshooting	17
MagicBowl Water Effect Replacement Parts List.....	18
MagicBowl Water Effect Niche Dimensions	19



LISTED
E344048

READ AND FOLLOW ALL INSTRUCTIONS IN THIS MANUAL.

IMPORTANT WARNING AND SAFETY INSTRUCTIONS



SERIOUS BODILY INJURY OR DEATH CAN RESULT IF THIS PRODUCT IS NOT INSTALLED AND USED CORRECTLY.



INSTALLERS, POOL OPERATORS AND POOL OWNERS MUST READ THESE WARNINGS AND ALL INSTRUCTIONS BEFORE USING THE MAGICBOWL™ AND FIREFX™ LED LIGHT.



Most states and local codes regulate the construction, installation, and operation of public pools and spas, and the construction of residential pools and spas. It is important to comply with these codes, many of which directly regulate the installation and use of this product. Consult your local building and health codes for more information.



IMPORTANT NOTICE - Attention Installer: This Installation and User's Guide ("Guide") contains important information about the installation, operation and safe use of this underwater light. This Guide should be given to the owner and/or operator of this equipment.



Before installing this product, read and follow all warning notices and instructions in this Guide. Failure to follow warnings and instructions can result in severe injury, death, or property damage. Call (800) 831-7133 for additional free copies of these instructions. Please refer to www.pentairpool.com for more information related to this products.



RISK OF ELECTRICAL SHOCK OR ELECTROCUTION: UNDERWATER POOL LIGHTS REQUIRE HIGH VOLTAGE WHICH CAN SHOCK, BURN, OR CAUSE DEATH.

Before working on or servicing lights, always disconnect power to the lights at the source circuit breaker from the light before servicing the light. Failure to do so could result in death or serious injury to service person, pool users or others due to electric shock. When installing and using this electrical equipment, basic safety precautions should always be followed, include the following:

This underwater light must be installed by a licensed or certified electrician or a qualified pool professional in accordance with the current National Electrical Code (NEC), NFPA 70 or the Canadian Electrical Code (CEC), CSA C22.1. All applicable local installation codes and ordinances must also be adhered to. Improper installation will create an electrical hazard which could result in death or serious injury to pool users, installers or others due to electrical shock, and may also cause damage to power source. Always disconnect the power to the pool light at the circuit breaker before servicing the light. Failure to do so could result in death or serious injury to serviceman, pool users or others due to electrical shock.



For countries in compliance with International Electrotechnical Commission (IEC) regulatory standards: The light fixture must

be installed by a licensed or certified electrician or a qualified pool service person, in accordance with IEC 364-7-702 and all applicable local codes and ordinance. Improper installation will create an electrical hazard, which could result in death or serious injury to pool user, installer or other due to electrical shock and may also cause damage to the property.

IMPORTANT WARNING AND SAFETY INSTRUCTIONS

NOTICE: The external flexible cable or cord of this luminaire cannot be replaced; if the cord is damaged, the luminaire shall be destroyed.

WARNING Under **no circumstances** replace lights by splicing wire under water or behind niche.

DANGER The FIREFX™ LED light is a 12 VAC system. **ONLY USE** an approved 12 volt AC transformer, sold separately. When using a Junction Box, connect 12 volt AC connections to junction box terminals. Never connect the light directly to high voltage lines.

INSTALLERS AND INSPECTORS: THE FIREFX LIGHT AND PLASTIC NICHE FORM A COMPLETE NON-METALLIC LOW VOLTAGE LIGHTING SYSTEM. THIS CONFIGURATION DOES NOT REQUIRE BONDING OR GROUNDING WHEN POWERED BY A LISTED 100 WATT OR 300 WATT 12 VAC TRANSFORMER AND INSTALLED IN COMPLIANCE WITH THE CURRENT NATIONAL ELECTRIC CODE (NEC). UNBONDED LIGHTING NEC PROVISIONS.

WHEN THE UL LISTED NON-METALLIC FIREFX LIGHT LOW VOLTAGE LIGHTS ARE USED WITH THE LIGHT APPROVED NICHE, THE CURRENT NEC PROVIDES AN EXCEPTION TO LUMINAIRE BONDING AND GROUNDING IN ARTICLE 680.6 AND 680.23 POOL WATER BONDING NEC PROVISIONS: FOR POOL WATER BONDING REQUIRED BY NEC ARTICLE 680.26C, CONCRETE POOLS ARE CONSIDERED CONDUCTIVE (REFER TO 680.26 (B)(1) DUE TO THE POROSITY OF CONCRETE AND THE BONDING OF REBAR. NO ADDITIONAL BONDING IS REQUIRED.

IMPORTANT NOTICE:
THE FIREFX LIGHT IS A NON-SERVICEABLE LIGHT. THE COMPLETE LIGHT ASSEMBLY MUST BE REPLACED.

MagicBowl™ Water Effect With FireFX™ LED Light

Overview

This manual describes how to install and replace the MagicBowl Water Effect with FireFX LED Light.

The MagicBowl Water Effect, in combination with the FireFX LED Light assembly (sold separately), includes a water fountain bowl with an elegant lighted fire effect. The low voltage and minimal water flow requirements make the MagicBowl Water Effect an ideal, energy-efficient addition to pools, fountains, ponds and more. The sculpted bowl shape is made of a durable UV-resistant material with a metallic composite finish, to suit your tastes and accent your poolscape with style. Glowing and flickering lights create a dramatic flame effect that brings the fountain to life.

The MagicBowl Water Effect bowls are hand crafted and hand finished for your enjoyment with designed in surface irregularities to make the bowls unique. There may be a slight difference in character, patina, and appearance from bowl to bowl, this is normal and expected.

If multiple LED lighting is being used, it is recommended that these lights be run independent of each other, using a separate transformer for each group or type of light. Otherwise all lights connected to the same transformer will be working together. See page 2 for more information.

Operating MagicBowl Water Effect Using a Wall Switch

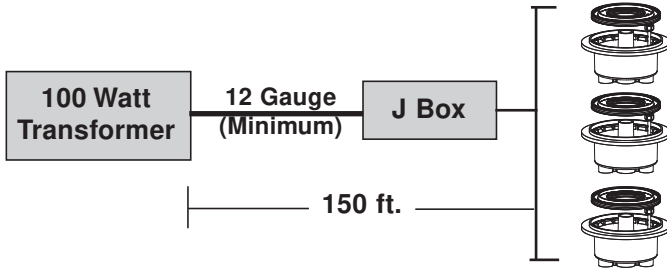
MagicBowl Water Effect can be controlled using a standard wall-mount light switch. Multiple MagicBowl Water Effect can be connected via a junction box to a single switch so that all lights can be switched on and off together. The lights are controlled by cycling the AC power to the 12 VAC power supply and from there to the lights from a standard wall switch.

Operating MagicBowl Water Effect Using Automation Control System

MagicBowl Water Effect can also be automatically controlled via a Pentair IntelliTouch® and EasyTouch® Control Systems. For more information refer to the IntelliTouch Control System User's Guide (P/N 521075), EasyTouch Control System User's Guide (P/N 521044). For more information, see page 15.

Using an External Transformer for Multiple MagicBowl™ Water Effects

When using multiple FireFX™ 12 VAC LED Lights on a 100 Watt transformer, it is recommended that no more than three (3) FireFX LED lights be used. It is also recommended not to exceed 150 feet of total cable run between the transformer and lights. Note: For long cable lengths, set transformer to 14 VAC, and use only FireFX LED lights with the 150" cord option, see diagram below.



Note: If a longer cable run is necessary, it is recommended that separate 100 Watt 12 VAC transformers be used for each light with no more than 150 feet of total cable run between the transformer and lights.

Maximum wattage when using multiple FireFX LED Lights and IntelliBrite® Color LED lights (using a 300 Watt Transformer)

IMPORTANT! When using multiple 12 VAC FireFX LED Light, IntelliBrite® Light and IntelliBrite Landscape Lights, the total allowable light wattage is 300 Watts maximum. A transformer should only be loaded to 80% of its capability. For example, a 300 watt transformer should have a maximum of 240 watts attached to it. FireFX LED Light and IntelliBrite LED light wattages are as follows:

- One FireFX LED Light is 25 Watts maximum
- One ColorVision™ Light is 15 Watts maximum
- One IntelliBrite Color LED Pool Light is 30 Watts maximum
- One IntelliBrite Color LED Spa Light is 18 Watts maximum
- One IntelliBrite Landscape Light is 15 Watts maximum
- One MagicStream® Laminar Light is 16 Watts maximum
- One GloBrite® LED Pool Light is 15 Watts maximum
- One AmerBrite® White LED (500W) Pool Light is 51 Watts maximum
- One AmerBrite White LED (400W) Pool light is 44 Watts maximum
- One AmerBrite White LED (300W) Pool Light is 36 Watts maximum
- One AmerBrite Color LED Pool Light is 36 Watts maximum

Note: If multiple LED lighting is being used, it is recommended that these lights be run independent of each other, using a separate transformer for each group or type of light. Otherwise all lights connected to the same transformer will be working together.

Powering On the FireFX LED Light

When the FireFX LED light is powered on, the light will begin to flicker different shades of red, orange, yellow to mimic the glow of fire. This flickering is normal and is the intended mode of operation.

INSTALLING THE MAGICBOWL™ WATER EFFECT AND NICHE (NEW POOL CONSTRUCTION)

The following describes how to install the MagicBowl Water Effect niche.

BEFORE STARTING: The following instructions must be completed by the electrician before the FireFX™ LED Light fixture is installed.

WARNING

Be sure that the pool or spa meets the requirements of the current National Electrical Code (NEC) Article 680-22 and all local codes and ordinances. A licensed or certified electrician must install the electrical system to meet or exceed those requirements before the underwater light is installed. Some of the requirements of the National Electrical Code which the pool's electrical system must meet are as follows:

- The lighting circuit has a Ground Fault Circuit Interrupter (GFCI) for 120 VAC line voltage models, and has an appropriately rated circuit breaker. The conductors on the load side of the GFCI circuit shall not occupy conduit, boxes, or enclosures containing other conductors unless the additional conductors are also protected by a GFCI. Refer to local codes for complete details.
- The Junction Box and the low voltage transformer is located at least 4 in (10.16 cm) above ground level or 8 in (20.3 cm) above maximum water level in the bowl, whichever is higher. The Junction Box must be at least 48 in (1.22 m) from the edge of the pool.
- To be certain that the pool or spa electrical system meets all applicable requirements, the electrician should also consult the local building department.

INSTALLING THE MAGICBOWL™ WATER EFFECT AND NICHE (AFTER ELECTRICAL REQUIREMENTS ARE MET)

Important General Precautions - Read this Information Before Installation

- The MagicBowl Water Effect niche is designed for 1-1/2 in (3.81 cm) PVC pipe for the water supply and 1 in (2.54 cm) conduit for the light cable and drain line.
- Water supply line should be installed with a check valve so the bowl doesn't drain off water when not in use.
- Water line should be installed with an adjustable control valve so you can adjust the water flow to the bowl for desired effect.
- The bowl should be installed so that the water flowing out of the bowl is flowing into the pool, spa or fountain.
- The bowl must be installed level or water will not flow out evenly from the spout.
- Minimum water flow is 10 GPM. Actual flow will vary with individual preference, typical flow is around 15-20 GPM. Water will start to overflow the bowl at 25 GPM.
- There is a groove cut on the underside of the spillway to prevent water from running down the side of the bowl. Should water start to drip from the underside of the spillway, the water flow should be adjusted to a flow rate that eliminates or minimizes the drips. Some water dripping may be unavoidable due to water flow, surface conditions, or irregularities on the lip.
- If the FireFX™ LED light assembly is not installed in the provided niche, the LED light will be damaged and the warranty void.
- Splicing of the light engine cable is not permitted unless done in a waterproof junction box. An unapproved wire splicing will void the warranty.
- The electrical junction box must be installed above the highest water level in the bowl. If the junction box is installed below the top level of the bowl, water may leak from the bowl into the conduit and fill the junction box with water.
- DO NOT REMOVE THE ATTACHED BULKHEAD ASSEMBLY FROM THE BOWL PRIOR TO INSTALLATION.
- The bulkhead assembly MUST be glued to the niche while installed on the bowl.
- Only install bowl after your finish tile and or cap stone as bowl will sit upon this surface once installed.
- Be sure the niche is secured in its holding structure to prevent the bowl from tipping over if pulled upon.
- A drain line should be plumbed in the niche to prevent water from collecting in the niche.

INSTALLING THE MAGICBOWL™ WATER EFFECT AND NICHE (AFTER ELECTRICAL REQUIREMENTS ARE MET)

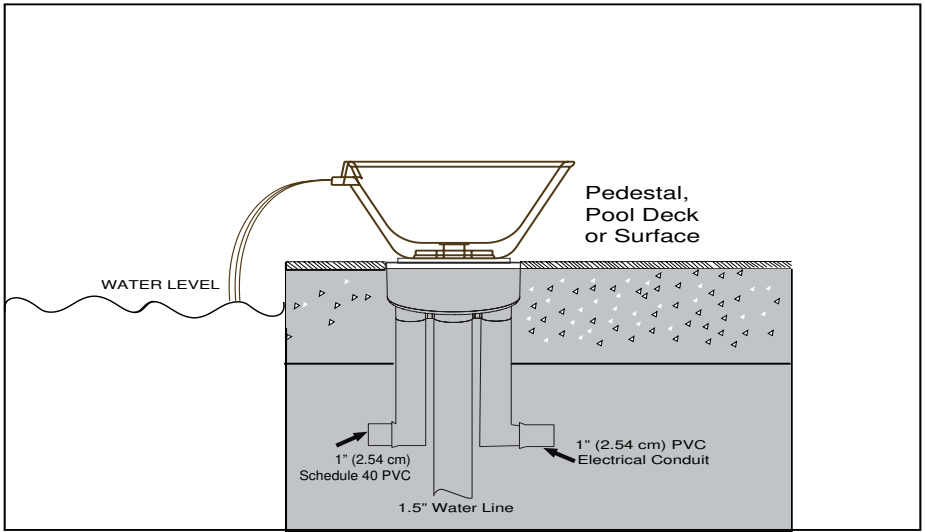
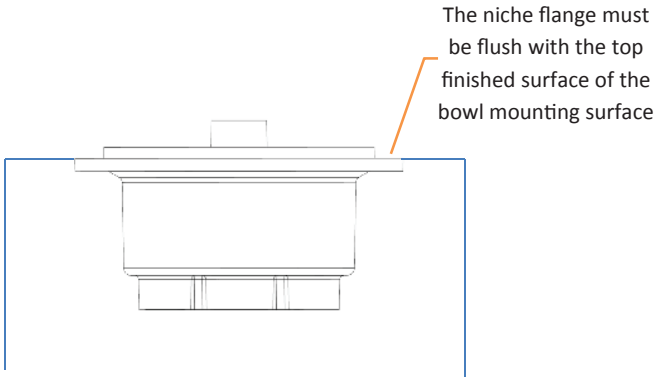


Figure 1.

1. Install the MagicBowl niche in the customer supplied pedestal or mounting surface, see Figure 1.
Note: The niche is PVC so use PVC cement to connect the water line and electrical conduit and drain line to the niche.
2. Set the niche in the mounting surface as per current local building codes.
3. Backfill around the niche to the top of the flange, thereby securing the niche into place.
4. The niche should be installed so that the “finish grade” taking into account tile or finish surface, is no higher than the top flange of the niche.



INSTALLING THE FIREFX™ LED LIGHT ASSEMBLY (AFTER NICHE INSTALLATION)

⚠ DANGER



D A N G E R !

RISK OF ELECTRICAL SHOCK OR ELECTROCUTION

Always disconnect power to the pool light at the circuit breaker before servicing the light. Failure to do so could result in death or serious injury to installer, serviceman, pool users, or others due to electrical shock.

Note: Prepare the end of the FireFX LED light power cable and install to the 12 VAC output wires of an approved transformer (if you are using longer runs of cables or multiple lights per transformer, it is recommended to use the 13 VAC or even the 14 VAC tap on your transformer).

1. Turn off main electrical switch or circuit breaker.
2. Feed cord through niche and then through conduit to Junction Box or 12 Volt AC Transformer. Leave approximately 1'-2' "service" loop of cable in the niche for easy light manipulation.



NOTE: This is a 12 Volt AC system ONLY. An approved 12 VAC transformer (sold separately) must be used. If a Junction Box is used, it would be for 12 VAC connections. Never wire the FireFX™ light directly to high voltage lines.

3. At the 12 VAC transformer or junction box, cut off any extra cord. Leave at least six (6) inches (15.2 cm) of cord in the Junction Box or transformer to facilitate the light installation, niche inspection. Cut off any extra cord.
4. Strip back three (3) inches of the outer cord jacket to expose the two insulated wires (be careful not to damage the insulation on the two (2) inner wires). Strip back the two conductors. Be careful not to damage the copper conductor.
5. Connect both (2) wires to the corresponding circuit wires in the Junction Box or 12 Volt AC Transformer (black wire to power, white wire to common) and secure the Junction Box cover in place.

6. **Install the new FireFX™ LED Light assembly:** Push the light into the niche while pulling the power cord from the junction box or transformer.

Note: This task requires two persons: One person to push the FireFX LED light into the niche, and the other person to pull light's power cable through the conduit from the junction box or transformer.

7. Push the grommet pre-installed around the cable into the conduit opening until it is firmly seated in the conduit. See figure 1.



8. Place the light engine into the niche so that it sits firmly on the ribs inside the niche.

Note: If the light engine is not seated properly in the niche it will be damaged by the bowl, voiding the warranty.



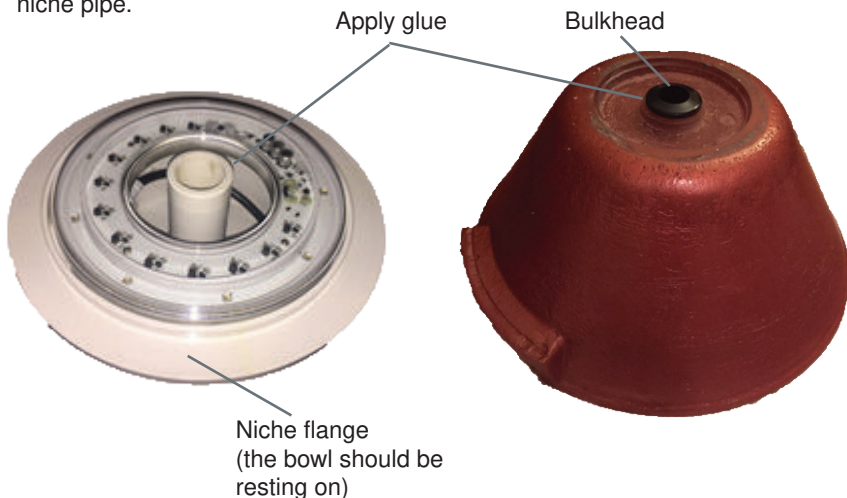
9. Final check for proper FireFX LED light operation: Switch on the main switch or circuit breaker to the 12 VAC transformer and the switch that operates the FireFX LED light itself. The light should illuminate when the 12 VAC power is applied. If not recheck the installation steps.

INSTALLING THE MAGICBOWL™ WATER EFFECT ON THE NICHE

1. Only install bowl after your finish work is complete to avoid causing any damage to the bowl.
2. Only install bowl after your finish tile and or cap stone is installed as bowl will sit upon this surface once installed.
3. Test and confirm the FireFX™ LED Light head is working prior to installing the bowl.
4. Bowl comes shipped with bulkhead fitting spout installed.

Note: Do not remove the bulkhead assembly from the bowl. The bulkhead assembly MUST be installed on the bowl while gluing onto the niche.

5. When ready to install the bowl you should apply commercially available PVC cement to the inside of the slip portion of the bulkhead fitting and the center niche pipe.

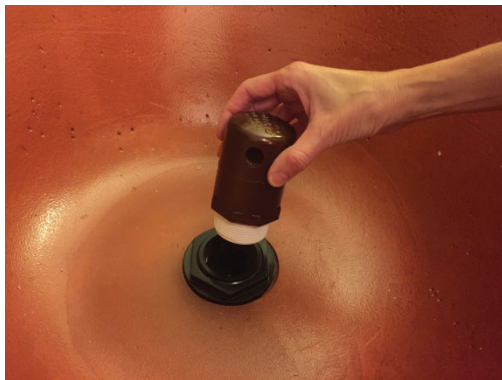


Notice: Be sure not to get glue on the FireFX LED Light assembly when installing the bowl on the niche flange.

6. Lower the bowl with attached fitting onto the center niche pipe, pushing down firmly until the bowl is supported by the flange of the niche and mounting surface.

INSTALLING THE MAGICBOWL™ WATER EFFECT ON THE NICHE

7. Install the supplied water spout assembly by screwing the threaded end into the bulkhead assembly inside the bowl.



8. Should you need to remove the bowl remove the water spout assembly from the bulkhead, unscrew the retaining nut and gasket from the inside of the bowl and lift the bowl up and over the center fitting. The bulkhead will stay attached to the niche.
9. To re-install the bowl, place the thick foam gasket on the bulkhead, lower the bowl over the spout and bulkhead fitting, install the gasket and nut and torque until tight (10ft.-lbs). Install the water spout assembly.

REPLACING THE FIREFX™ LED LIGHT ASSEMBLY (IN AN EXISTING INSTALLATION)

⚠ DANGER



Risk of Electrical Shock or Electrocution!

This underwater light must be installed by a licensed or certified electrician or a qualified pool professional in accordance with the current National Electrical Code (NEC), NFPA 70 or the Canadian Electrical Code (CEC), CSA C22.1 and all applicable local codes and ordinances. Improper installation will create an electrical hazard which could result in death or serious injury to pool users, installers or others due to electrical shock, and may also cause damage to property.

Always disconnect the power to the pool light at the circuit breaker before servicing the light. Failure to do so could result in death or serious injury to service person, pool users or others due to electrical shock.

Verify that the pool and spa meets the requirements of the current National Electrical Code and all local codes and ordinances. A licensed or certified electrician must install the electrical system to meet or exceed those requirements before the underwater light is installed. Some of the requirements of the National Electrical Code which the pool's electrical system must meet are as follows:

- The lighting circuit has a Ground Fault Circuit Interrupter (GFCI) for line voltage models, and has an appropriately rated circuit breaker.
- The Junction Box and the low voltage transformer is located at least 4 (four) inches (10.16 cm) above ground level or eight (8) inches (20.3 cm) above maximum water level, whichever is higher. The Junction Box must be at least 48 inches (1.22 m) from the edge of the pool. See Figure 1 on page 7.
- To be certain that the pool's electrical system meets all applicable requirements, the electrician should also consult the local building department.

**IMPORTANT NOTICE:
THE FIREFX LED LIGHT IS A NON-SERVICEABLE LIGHT. THE
COMPLETE LIGHT ASSEMBLY MUST BE REPLACED.**

REPLACING THE FIREFX™ LED LIGHT ASSEMBLY (AFTER ELECTRICAL REQUIREMENTS ARE MET)

The following removal and installation instructions describe how to remove and install the FireFX™ LED Light assembly. Also use these instructions after completing the following light replacement procedure.



WARNING Failure to bring the pool or spa's electrical system up to code requirements before installing the light will create an electrical hazard which could result in death or serious injury to pool users, installers, or others due to electrical shock, and may also cause damage to property.

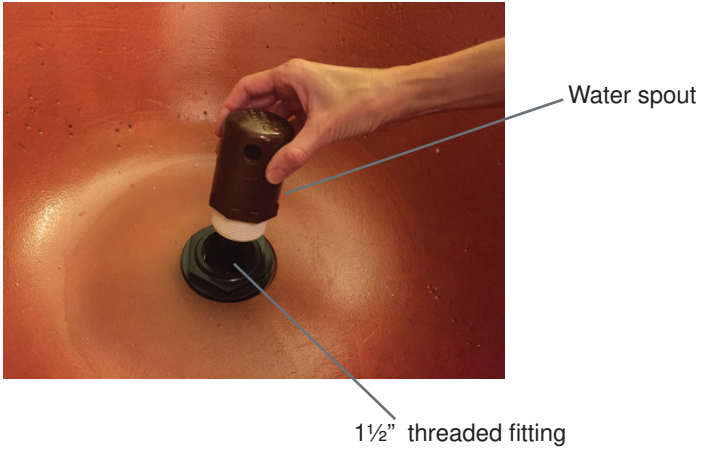
1. **Switch off electrical switch or circuit breaker at the source.**
 2. Remove Junction Box or Transformer cover. Disconnect the light wires and attach a fish tape to the existing light power cord. This will assist in pulling the replacement light power cord through the conduit back to the junction box.
 3. Remove any standing water in the bowl. Remove the water spout assembly from the bulkhead, unscrew the retaining nut and gasket from the inside of the bowl and lift the bowl up and over the center fitting.
 4. Slowly pull the light and attached power cord (with attached fish tape) out of the niche. Pull the light's power cord and fish tape out of the niche and place the light on the deck.
 5. Attach the new light power cord to the fish tape and carefully feed the fish tape and cable to the junction box.
 6. At the 12 VAC transformer or junction box, cut off any extra cord. Leave at least six (6) inches (15.2 cm) of cord in the Junction Box or transformer to facilitate the light installation, niche inspection. Cut off any extra cord.
 7. Strip back three (3) inches of the outer cord jacket to expose the two insulated wires (be careful not to damage the insulation on the two (2) inner wires). Strip back the two conductors. Be careful not to damage the copper conductor.
 8. Connect both (2) wires to the corresponding circuit wires in the Junction Box or 12 Volt AC Transformer (black wire to power, white wire to common) and secure the Junction Box cover in place.
 9. Push the grommet pre-installed around the cable into the conduit opening until it is firmly seated in the conduit.
 10. Place the FireFX LED light assembly into the niche so that it sits firmly on the ribs inside the niche.
- Note: If the FireFX LED light assembly is not seated properly in the niche it will be damaged by the bowl, voiding the warranty.**
11. Switch on the main switch or circuit breaker to the 12 VAC transformer and the switch that operates the FireFX LED light itself. The light should illuminate when the 12 VAC power is applied. If not recheck the installation steps.
 12. To re-install the bowl, place the thick foam gasket on the bulkhead, lower the bowl over the spout and bulkhead fitting, install the gasket and nut and torque until tight (10ft.-lbs). Install the water spout assembly.

WINTERIZING THE MAGICBOWL™ WATER EFFECT

The MagicBowl Water Effect is designed to withstand the elements. Winterizing may be as simple as draining all the water from the bowl. Covering the bowl will help protect from the elements. The bowl may be removed and stored for the winter but caution should be taken to keep the light engine protected while the bowl is removed.

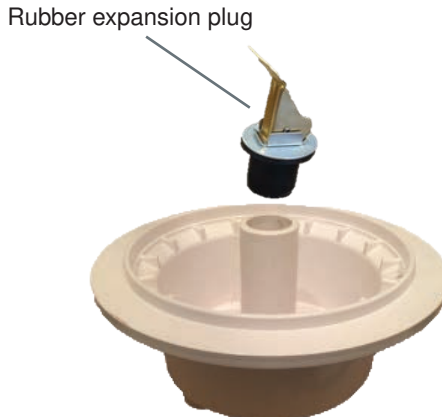
In areas with deep freeze, water must be drained from the bowl and the water lines evacuated of water. Once the water lines are drained, remove the water spout from inside the bowl and plug the water line with a 1 ½" plug. The bowl should be filled with pool anti-freeze also to prevent accumulating rain and snow from freezing inside the bowl.

The bowl should not be allowed to fill completely with water and freeze solid, the expanding ice may damage the bowl.



PRESSURE TESTING THE MAGICBOWL WATER EFFECT

To pressure test the MagicBowl Water Effect, cap off the center stand pipe with a rubber expansion plug or similar device.



CONNECTING MAGICBOWL™ WATER EFFECT TO THE AUTOMATION CONTROL SYSTEM

⚠ DANGER

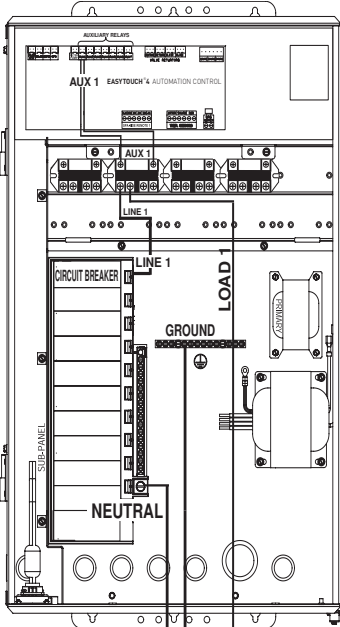
D A N G E R !

RISK OF ELECTRICAL SHOCK OR ELECTROCUTION

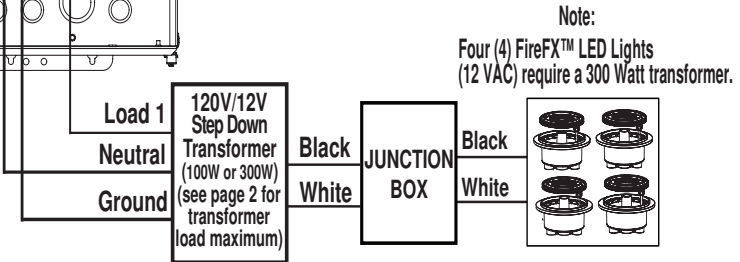
Always disconnect AC power to EasyTouch® and IntelliTouch® Control System load center at the circuit breaker before servicing, or removing the **HIGH VOLTAGE FRONT PANEL**. Failure to do so could result in death or serious injury to installer, service person, pool users, or others due to electrical shock.

1. **Load Center:** Unlatch the enclosure door spring latch, and open the door.
2. **Discharge Electrostatic energy before removing the cover by first touching the metal part of the enclosure.**
3. Loosen the two (2) retaining screws from the HIGH VOLTAGE FRONT PANEL. Remove the panel from the enclosure.
4. Run the FireFX™ LED Light power cord to an Auxiliary Relay in the EasyTouch/IntelliTouch Control System load center.
5. Connect the 120 Volt side of a 12 VAC transformer to the LOAD SIDE of one of the auxiliary (AUX) relays in the load center.
6. Connect the Neutral conductor from the 12 VAC transformer to the Neutral bus bar in the load center.
7. After the connection has been completed, close the control panel and secure it with the two (2) retaining screws.
8. Close the load center front door. Fasten the spring latch.

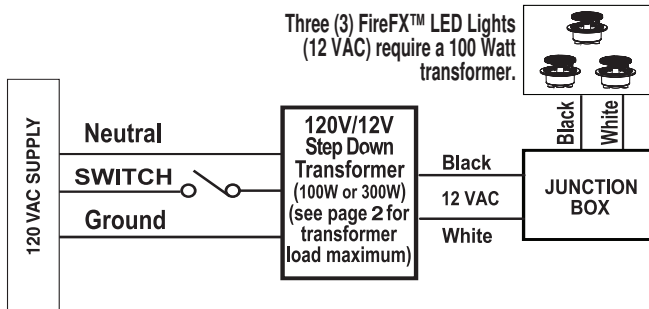
CONNECTING MAGICBOWL™ WATER EFFECT TO THE AUTOMATION CONTROL SYSTEM



Load Center



FireFX LED Light to EasyTouch or IntelliTouch Control System Load Center Wiring Connection Diagram



FireFX LED Light Standard Wiring Connection Diagram

SETTING UP MAGICBOWL™ WATER EFFECT WITH THE AUTOMATION CONTROL SYSTEM

EasyTouch® Control System

The following describes how to setup the MagicBowl Water Effect from the EasyTouch Control System indoor control panel or wireless control panel. From the EasyTouch control system control panel you can control the light.

To set up a MagicBowl circuit; assign the “Light Circuit Name” to the relay circuit (example; AUX 3, as “Pool Light”) and “Function”: assign the name “Pool Light” circuit in the Circuit Func menu as a “light” circuit. After assigning the circuit name and function, the light circuit name “Pool Light” can be setup in the CONFIG menu for light position, color etc.

To assign a Circuit Name go to: MENU > SETTINGS > CIRCUIT NAMES

IntelliFlo ▲
IntelliChlor
►Circuit Names
Circuit Func. ▼

Circuit Names ▲
Circuit #: 1/18
Circuit : AUX 1
[POOL LIGHT] ▼

1. Press the **Up/Down button** to select a circuit number 1/18. Press the Up button two times to select **AUX 1** to choose this circuit for a light circuit On/Off button. The circuit number (1/18) corresponds to its assigned circuit name.
2. Press the **Up/Down button** to scroll through the list of preset names. Select a name such as “Pool Light.” AUX 1 has now been assigned the circuit name “Pool Light.”

To assign a Circuit Function go to: MENU > SETTINGS > CIRCUIT FUNC.

Circuit / Func. : ▲
[POOL LIGHT]
[INTELLIBRITE]
Freeze: No ▼

3. Press the Menu button to return to the Settings menu. Press the Down button to and select “Circuit Func.” Press the Right button to access the Circuit Func. menu.
4. Press the **Up/Down button** to select the already assigned circuit name “Pool Light.”
5. Press the **Right button** to view “Circuit Functions” to assign to light circuit “Pool Light.”
6. Press the **Up/Down button** to select the type of light circuit function to use.
7. Press the Menu button three times to return to the main screen.

Operating the FireFX™ LED Lights: The FireFX light is ready to operate using the EasyTouch control panel button 1 (auxiliary 1 circuit). To access the Lights menu screen (*special Light Features*), press **Menu > Lights**. The Lights menu settings are: MODES, COLORS, ALL ON, ALL OFF, SYNC, MAGICSTREAM, CONFIG: From the Modes screen you can only turn the light ON or OFF.

IntelliTouch® Control System

The following describes how to setup the MagicBowl Water Effect from the IntelliTouch Control System control panel. From the IntelliTouch control system control panel you can control the light. To access the MagicBowl Water Effect screens, from the IntelliTouch control system indoor control panel or the wireless MobileTouch® Remote Control Panel.

Assigning a Circuit Name

To identify the MagicBowl Water Effect connected to the auxiliary circuits (AUX 1, AUX 2) in the IntelliTouch control system load center, you need to assign the MagicBowl Water Effect circuit name to the corresponding auxiliary circuits in the IntelliTouch control system indoor control panel. Choose a circuit name from the preset list of names for the MagicBowl connected to the auxiliary relay installed in the IntelliTouch

Assigning a Circuit Name for the MagicBowl Water Effect: To assign a Circuit Name for the MagicBowl Water Effect, go to: **MENU > SETUP > ADVANCED > CIRCUIT NAMES > ASSIGN CIRCUIT NAMES > DISPLAY.**

Selecting DISPLAY Screen 1, 2, 3, or 4: The auxiliary circuits that control the pool and spa equipment can be accessed from the “Display” screen on the Indoor Control Panel or MobileTouch wireless control panel. Selecting the button next to Display 1, 2, 3, or 4 displays the screen with circuits belonging to that particular expansion Load Center or Power Center. “Feature Circuits” can also be assigned from this screen.

To assign circuit names for a specific display screen:

Display #1 - This screen shows circuit names for the filter pump, pool and spa modes, and all high voltage auxiliary circuits connected to the main Load Center or Power Center. **Display #2** - This screen shows circuit names for the additional auxiliary circuits connected to the first expansion center (Load Center or Power Center).

Display #3 - This screen shows circuit names for the additional auxiliary circuits connected to the second expansion center (Load Center or Power Center)

Display #4 - This screen shows circuit names for the additional auxiliary circuits connected to the third expansion center (Load Center or Power Center).

To assign a MagicBowl Water Effect circuit name for the MAIN SCREEN:

1. Select the button next to Display #1. These are the circuit names that will be displayed on the Main Screen. Note: If there is an expansion Load Center or Power Center installed, select the appropriate Display #2, #3, or #4 associated with that expansion Load Center or Power Center.
2. From the Main Display screen, press the button next to AUX 1. A small arrow pointing to AUX 1 is displayed.
3. Use the Up and Down buttons at the bottom of the screen to scroll through the alphabetical list of preset equipment names. Choose the equipment name that matches the label name for button number 1 on the Load Center Outdoor Control Panel.
4. Continue to name other auxiliary circuits (AUX2, AUX3, etc.): After selecting the equipment name you want to use for AUX 1, press the button next to the AUX 2 and choose a circuit name. The small arrow indicates which circuit is selected for naming.
5. Repeat the process to assign the other equipment to circuits on this screen.
6. When you have finished assigning equipment circuit names, press the Save button. Press the Exit button to return to the Main screen.
7. **CONTINUE TO NEXT PAGE to set up the MagicBowl Water Effect “Function Circuit.”**

Set up a MagicBowl Water Effect Circuit Function

To setup an AUX circuit to control the MagicBowl Water Effect, assign the circuit light function an auxiliary relay circuit (AUX 1), then assign the circuit name for that light circuit. The light circuit name will appear on the main screen. Each MagicBowl Water Effect must also be assigned a circuit function. **To assign a Circuit Name for the MagicBowl Water Effect, go to: MENU > SETUP > ADVANCED > CIRCUIT FUNCTIONS**

Setup a MagicBowl Water Effect function circuit: Assign each light auxiliary relay circuit a circuit name, then assign that light relay circuit in the “CIRCUIT FUNCTIONS” section, as “INTELLIBRITE.” To setup the MagicBowl Water Effect circuit function (use the “MagicBowl” circuit name):

1. Press the button next to the AUX button (the relay auxiliary circuit connected to the MagicBowl light).
2. Press the right or left side (PREV/NEXT) button next to “MagicBowl.” Scroll through the circuit functions until “MagicBowl” is displayed.
3. Press the SAVE button on the bottom of the screen. Press the EXIT button to return to the main screen.

Assign the MagicBowl Water Effect circuit to the Lights screen:

4. Press the Lights button on the bottom of the screen.
5. Press the right side button next to “CONFIGURE.”
6. Press the button next to “NONE” to assign a light circuit to the selected button. Light names can be setup to display on the left side for “Spa” features and on the right side for the “Pool” features.
7. Press the top left or right side button to scroll through the available light circuits which can be used for the MagicBowl lighting features. Select at the circuit name you wish to use. The displayed circuit names are circuit names that were previously assigned when assigning a circuit function.

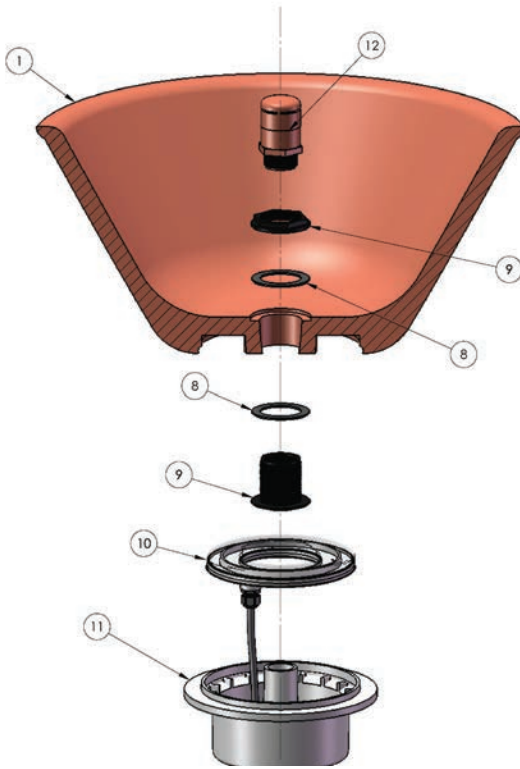
Operating and Selecting MagicBowl Water Effect

Special Light Features: Up to twelve (12) light circuits can be displayed on the main Lights screen (special light features). From the Lights screen you can activate the MagicBowl by turning it on or off. Assuming each MagicBowl Water Effect and FixFX™ LED Light has its own relay and separate circuit.

Troubleshooting

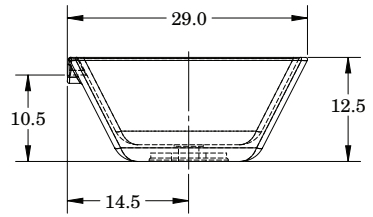
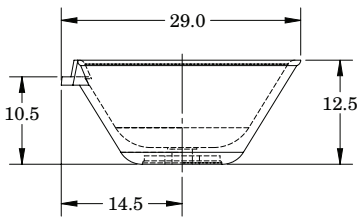
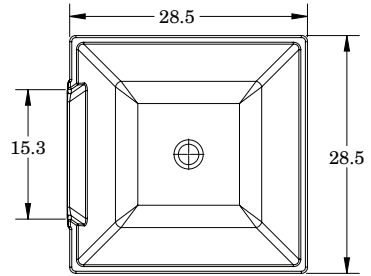
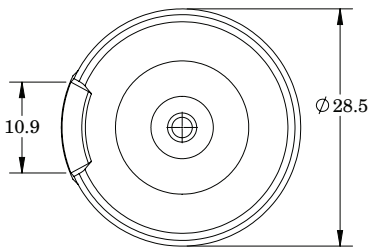
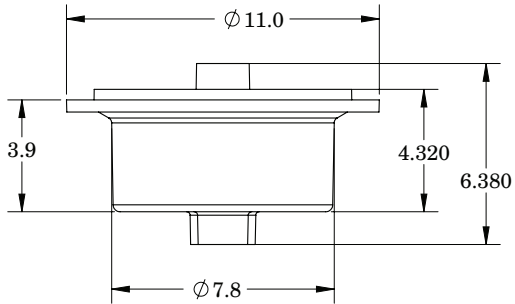
<p>The light will not illuminate.</p> <p>Light does not function properly.</p>	<p>Check the ground fault wiring and reset if necessary.</p> <p>Check the light wiring connection to the junction box at the pool side and to the main circuit breaker.</p> <p>Be sure that there is proper AC power applied to the light.</p>

MagicBowl™ Water Effect Replacement Parts List



Item	Part No.	Description
MAGICBOWL		
1	590160	MagicBowl, Round Copper
1	590161	MagicBowl, Round Bronze
1	590162	MagicBowl, Round Silver
1	590163	MagicBowl, Round Brass
1	590164	MagicBowl, Round White
1	590165	MagicBowl, Round Gray
1	590166	MagicBowl, Round Natural
1	590167	MagicBowl, Square Copper
1	590168	MagicBowl, Square Bronze
1	590169	MagicBowl, Square Silver
1	590170	MagicBowl, Square Brass
1	590171	MagicBowl, Square White
1	590172	MagicBowl, Square Gray
1	590173	MagicBowl, Square Natural
8	590158	GASKET PACK OF 2
9	590159	BULKHEAD & NUT
10	580055	100' LED Light Engine
10	580056	150' LED Light Engine
11	590157	NICHE
12	590174	WATER SPOUT, COPPER
12	590175	WATER SPOUT, BRONZE
12	590176	WATER SPOUT, SILVER
12	590177	WATER SPOUT, BRASS
12	590178	WATER SPOUT, WHITE
12	590179	WATER SPOUT, GRAY
12	590180	WATER SPOUT, NATURAL
NOT SHOWN		
	590186	ROCK TAY
	590187	BUBBLER
	590188	SQUARE BOWL SCUPPER
	590189	ROUND BOWL SCUPPER

MagicBowl™ Water Effect Niche Dimensions





PENTAIR AQUATIC SYSTEMS

1620 HAWKINS AVE., SANFORD, NC 27330 • (919) 566-8000
10951 WEST LOS ANGELES AVE., MOORPARK, CA 93021 • (805) 553-5000
WWW.PENTAIRPOOL.COM

Pentair, the Pentair Logo, MagicBowl™, and all other trademarks and service marks set forth in this document are owned by Pentair or one of its global affiliates, Pentair Water Pool and Spa, Inc. and/or its affiliated companies in the United States and/ or other countries. Unless expressly noted, names and brands of third parties that may be used in this document are not used to indicate an affiliation or endorsement between the owners of these names and brands and Pentair Water Pool and Spa, Inc. Those names and brands may be the trademarks or registered trademarks of those third parties. Because we are continuously improving our products and services, Pentair reserves the right to change specifications without prior notice. Pentair is an equal opportunity employer.

© 2016 Pentair Water Pool and Spa, Inc. All rights reserved. This document is subject to change without notice.



P/N 590181 REV. A 12/2016